

Moment Load Formulas/Ratings

Posi-Drive Stages

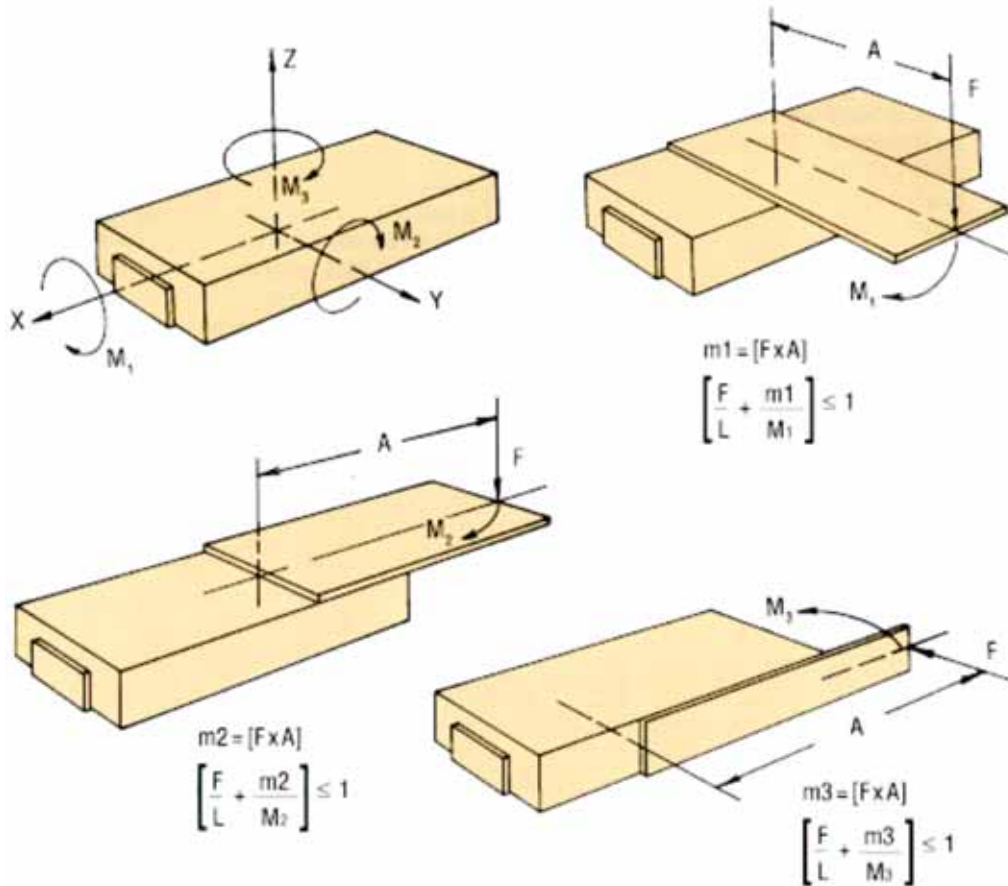
A = Distance (inches) from slide centerline to line of acting force.

F = Acting force (lbs.)

L = Published load capacity (lbs.)

M₁, M₂, M₃ = Moment load rating (lbs. - inch).

m1 - m2 - m3 = Acting moment load (lbs. - inch).



Posi-Drive Stages

Model #	M1 lb-in	M2 lb-in	M3 lb-in	Model #	M1 lb-in	M2 lb-in	M3 lb-in
LS1-1	5.56	6.00	6.30	LRS1-1	48.71	59.14	62.10
LS1-2	7.38	12.00	12.60	LRS1-2	55.71	84.56	88.79
LS1-3	9.23	20.00	21.00	LRS1-3	64.94	137.98	144.88
LS1-4	12.92	49.00	51.45	LRS1-4	113.65	413.95	434.65
LS2-1	8.51	8.00	8.40	LRS2-1	56.13	59.14	62.10
LS2-1.5	12.76	18.00	18.90	LRS2-1.5	62.45	92.22	98.44
LS2-2	17.86	29.40	30.87	LRS2-2	74.84	118.27	124.19
LS2-3	22.11	41.60	43.68	LRS2-3	87.31	137.98	144.19
LS2-4	25.52	84.00	88.20	LRS2-4	130.98	413.95	434.65
LS3-1	21.87	16.80	17.64	LRS3-1	190.67	158.40	166.32
LS3-2	45.20	60.76	63.80	LRS3-2	254.23	316.80	332.64
LS3-3	64.15	110.88	116.42	LRS3-3	317.80	528.00	554.40
LS3-4	86.02	181.72	190.81	LRS3-4	378.40	660.00	693.00
LS3-6	109.35	357.00	374.85	LRS3-6	508.46	1478.40	1552.32
LS3-8	122.48	442.00	477.23	LRS3-8	569.51	1830.40	1976.29
LS3-10	141.89	629.66	665.22	LRS3-10	659.76	2607.50	2754.79
LS3-12	149.45	717.50	753.38	LRS3-12	697.24	2871.30	3121.62